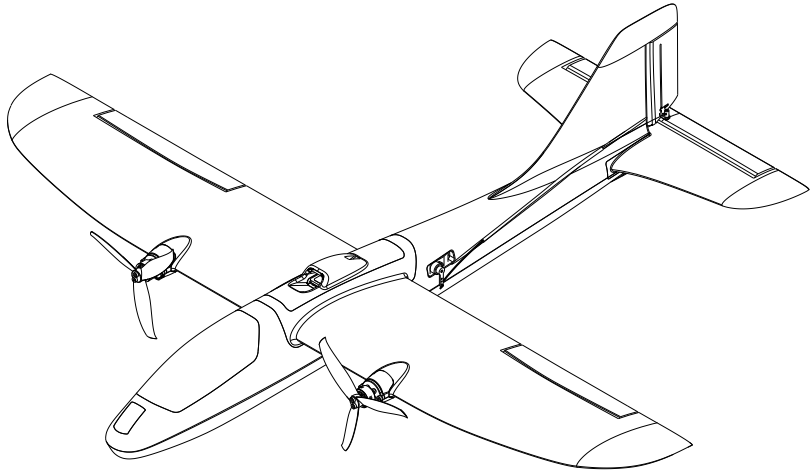




# User Manual

## Flying Fish

小飞鱼



## Introduction/产品简介

The Flying Fish is special design twin motor glider for close range FPV, the 650mm wingspan made th glider easy to fly in small room also easy to launch. With 2 in 1 ESC, the wiring is clean and simple, no modification. Twin motor design made the glider very efficient.

飞鱼是一款专为FPV所设计，650mm的翼展让低空高低速穿越飞行得心应手，EPP的材质耐摔耐炸，二合一电调使得安装电子设备方便简洁。双发设计兼顾效率与机动性。

## Specifications/配置参数

Specifications	
Wingspan/翼展	650mm
Length/长度	570mm
WingArea/翼面积	6.15dm <sup>2</sup>
Material/材料	EPP
Motor/电机	1105 5000KV*2
ESC/电调	BLS 2 in 1 10A 2~4S
Propeller/螺旋桨	T3018
Servo/舵机	4.3g Servo*4Pcs
Recommned Battery/推荐电池	3S 750mAh Lipo

## Version Description/版本描述

Packing List		
Version	PNP	FPV
Description	Assembled PNP with electronics installed	PNP version of plane
	ATOMRC 1105 5000KV MOTOR*2	FOXEEER Razer NANO
	ATOMRC Exceed 2 IN 1 BLS 10A ESC (Input 2~4S Bulit in 5V3A BEC)	ATOMRC Exceed TX500 VTX
	ATOMRC 4.3g Servo* 4	5.8G 2dB Antenna
	T3018 Prop*2	

## Installation/安装指南

1

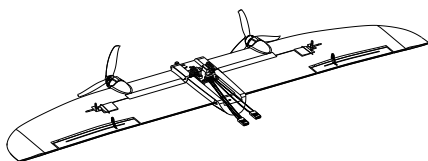


Install the tail, then install the elevator control surface.

安装平尾，并且安装控制舵面

---

2

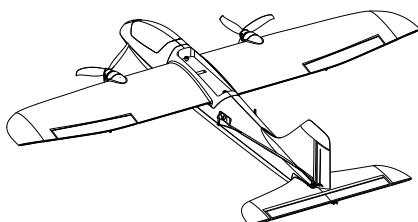


Plug the ESC/Servo connector to the receiver.

将舵机及电调信号线插入接收机

---

3

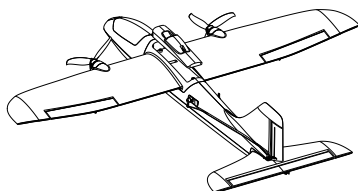


Install the propeller, then install the wing to the fuselage.

安装螺旋桨，然后固定机翼螺丝。

---

4



Install the hatch.

安装舱盖。

## Tx500 VTX Uermanual/图传说明书

Band	Channel							
	1	2	3	4	5	6	7	8
Band A	5865	5845	5825	5805	5785	5765	5745	5725
Band B	5733	5752	5771	5790	5809	5828	5847	5866
Band E	5705	5685	5665	5645	5885	5905	5925	5945
Airwave/FS	5740	5760	5780	5800	5820	5840	5860	5880
Race Band	5658	5695	5732	5769	5806	5843	5880	5917
L Band	5362	5399	5436	5473	5510	5547	5584	5621

### VTX Specs

Voltage input/电压输入范围: 2~6S Lipo

Frequency/频率: 5.3~5.9Ghz

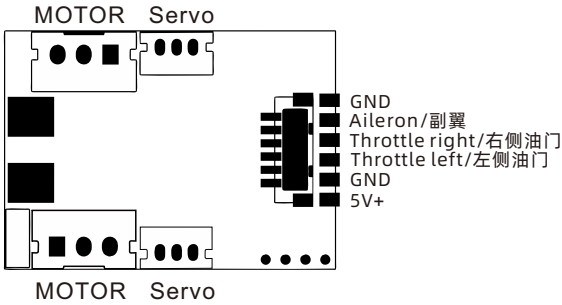
Power/功率: 100/200/500mw Switchable

Power consumption/功耗: 9V 1.1A

### VTX Setting

1. Hold button 3 seconds into setting mode. In setting mode, short press the button to change band.
  2. Then hold button 3 seconds into CH setting mode, short press button to change CH.
  3. Hold button 3 second to get into Power setting mode, there is short bar on LED, short press to switch power, 1 bar means 100mW, 2 bar means 200mW, 3 bar means 500mW.
- 1, 长按设置按键三秒, 进入波段设置模式。在设置模式下, 短按按键切换波段。
- 2, 再次长按按键三秒钟, 进入频道切换模式, 短按按键切换频道。
- 3, 再次长按按键三秒钟, 进入切换功率模式, 短按按键切换功率, 数码管一条为100mw, 两条为200mw, 三条为500mw。

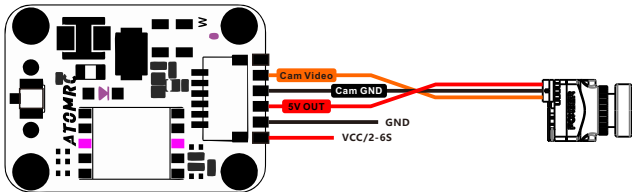
## 2 in 1 ESC Wiring



The throttle input are bridged on the cable, if user want differential throttle, please solder the input on the soldering pads.

电调输入信号在线上已经并联，若想使用油门差速，请将信号输入线焊接在焊盘。

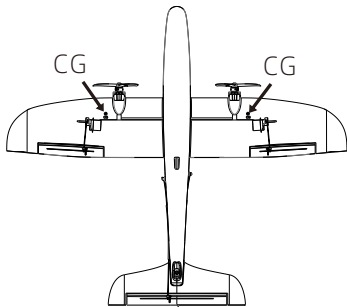
## VTX Wiring/图传接线图



## Tips/小贴士

This product is not toy, adult supervision is required for those under 14 years old!

此产品并非玩具，14岁以下用户请在成年人指导下飞行。



The CG is very important for Flying Fish  
CG is marked on the bottom of wing.  
Check the CG carefully before flight.

重心标在机翼下方，起飞前请确定飞机是否平衡。

Please download the latest user manual at  
文件若有更新，恕不另行通知，请于以下网站下载最新版本  
[www.atomrc.com/pages/download](http://www.atomrc.com/pages/download)

